

For Product Step File or 3D Model Send a Request Mail To info@nrack.com

Key Locks



Panel Locks

Photo View

Plane Locks

3Point Locks (Round & Flat)

Handle & Knobs

Hinges

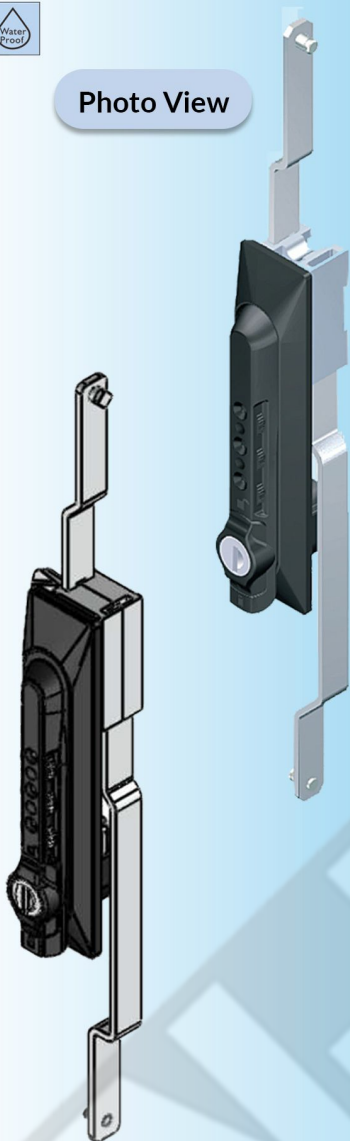
Airvents

Gasketing

Canopy Locks

Other Accessories

Stainless Steel

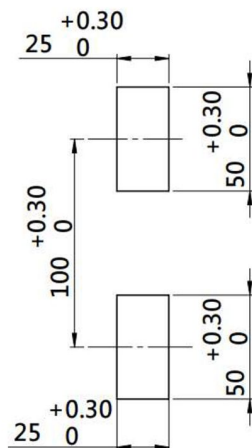
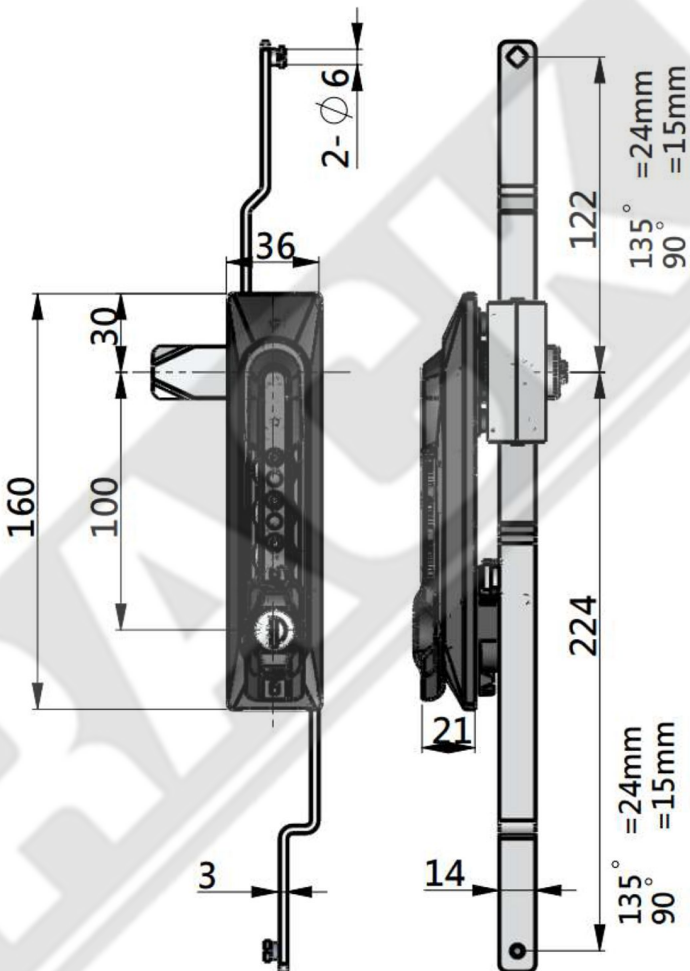


3D Rendered View

MS 837-1-3

- Material: PA lock housing, zinc alloy lock cylinder, rod control box, sand bright chrome plating rack
- Finish: Matt black
- Panel thickness: 1 ~2mm

Digital / Numerical Lock



PANEL CUTOUT